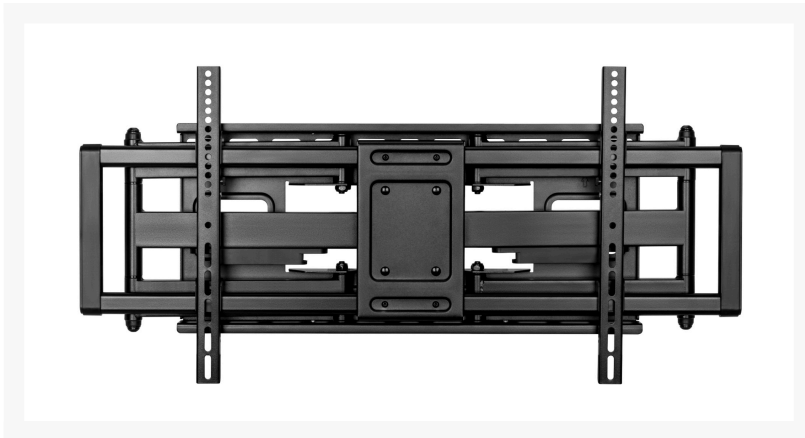
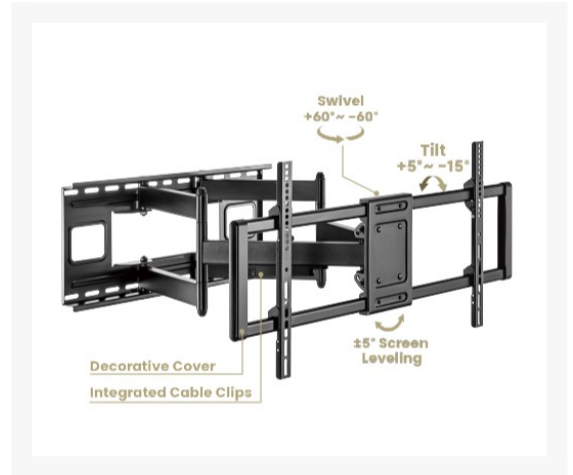
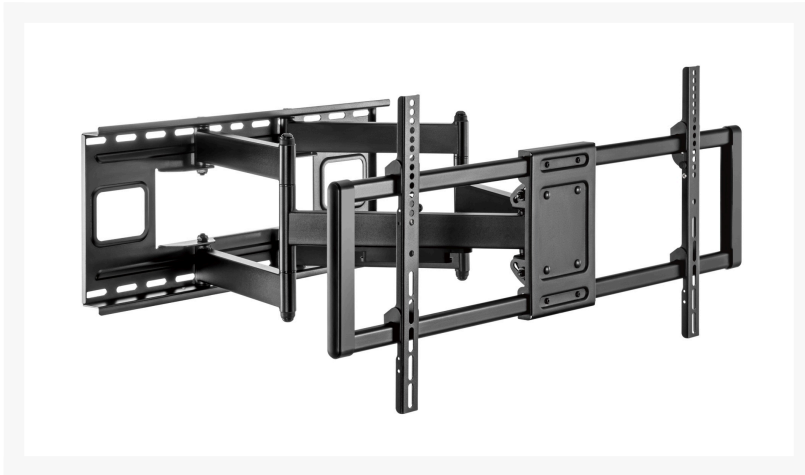




4Cabling Heavy Duty & Full Motion TV Wall Mount 43" to 100" | Max VESA 800 x 400

Product Images



Description

4Cabling Heavy Duty & Full Motion TV Wall Mount 43" to 100" | Max VESA 800 x 400

Elevate your TV experience with the 4Cabling Heavy Duty & Full Motion TV Wall Mount, meticulously designed for screen sizes spanning 43" to 100". This mount showcases an impressive Max VESA compatibility of 800 x 400, redefining your viewing setup. The Quick-Release Latch ensures seamless locking and unlocking of your display, combining convenience with security.

Indulge in optimal flexibility with Swiveling Arm(s), making every spot the best seat in the house. Stay organized with Cable

Management, eliminating clutter for a clean space. The Free-Tilting Design empowers effortless angle adjustments for enhanced viewing and glare reduction.

Explore a realm of versatile angles with the Extending Arm, while the included Bubble Level ensures precise installation. Designed for most 43" to 100" screens and compatible with VESA patterns from 200x200 to 800x400, this mount caters to diverse TV sizes and setups. With a Load Capacity of 120kgs and Max VESA of 800x400, your TV's stability is ensured.

Experience unparalleled flexibility with Level Adjustment, Screen Freely Tilting, Tilt, and Swivel features. The mount's profile spans from 75 to 703mm, offering both a sleek appearance and extended reach. Crafted from sturdy Steel and Plastic materials with a classic black finish, this mount guarantees both endurance and style. Upgrade your entertainment space with the 4Cabling Heavy Duty & Full Motion TV Wall Mount – where strength meets adaptability for an extraordinary TV setup.

FEATURES

- Quick-Release Latch locks/unlocks the display in place
- Swiveling Arm(s) offer(s) maximum viewing flexibility (makes every seat the best seat)
- Cable Management keeps everything organized
- Free-Tilting Design makes easy forward or backward adjustment for better viewing and reduced glare
- Extending Arm provides a wide range of viewing angles
- Bubble Level is included
- Suitable for most 43" - 100" Screens
- VESA Compatible: 200x200, 300x200, 400x200, 300x300, 400x300, 400x400, 600x400, 800x400

SPECIFICATIONS

- **Min. VESA:** 200x200
- **Max. VESA:** 800x400
- **Strength Tested:** 4 Times Approved
- **Profile:** 75~703mm
- **Fit Curved TV:** Yes
- **Mounting Hole Pattern:** VESA Only
- **Installation:** Solid Wall, Double Stud (406mm/450mm/600mm)
- **Panel Type:** Detachable Panel
- **Wall Plate Type:** Fixed Wall Plate
- **Load Capacity:** 120kgs
- **Level Adjustment:** +5°~-5°
- **Screen Freely Tilting:** Yes
- **Tilt:** +5°~-15°
- **Swivel:** +60°~-60°
- **Bubble Level:** Yes
- **Colour:** Black
- **Material:** Steel, Plastic
- **Product Dimension (mm):** 703x910x430mm

WARRANTY

3-years limited warranty

