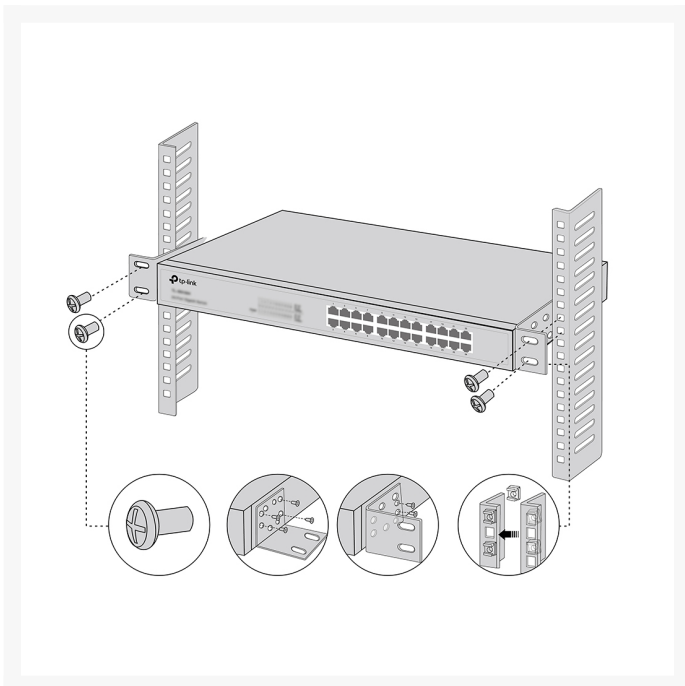




TP-Link | RackMount Kit-13 | 13-Inch Rack-Mounting Bracket Kit

Product Images



TP-Link | RackMount Kit-13 | 13-Inch Switches Rack Mount Bracket Kit

The RackMount Kit-13 is a reliable and durable rack mounting solution designed for many 13-inch switches by TP-Link. To ensure compatibility, measure the size of the mounting ears and hole spacing of their switch, and if they match the kit's specifications, it can be used with the switch. The kit is constructed with sturdy metal materials, ensuring a secure and firm installation that minimizes the risk of falling. It offers compatibility with various switch models, a list of known compatible switches is listed below. This product provides a convenient and efficient way to mount switches and other compatible equipment in a rack, ensuring proper organization and easy access to networking devices.

List of TP-Link products supported by RackMount Kit-13

OC300	TL-R480T+	TL-SF1016DS	TL-SF1024D	TL-SG1008	TL-SG1008MP	TL-SG1016D	TL-SG1016DE
TL-SG1016PE	TL-SG1024D	TL-SG1024DE	TL-SG2210MP	TL-SG3210	TL-SX1008	TL-SX3206HPP	

FEATURES

- Compatible with TP-Link 13-inch rack mount switches and other products
- If not sure about the model of the switch, please measure the size of the mounting ears and the hole spacing of the switch, can be used if they match
- Reliable metal materials are selected, which are sturdy and durable, and the installation is firm and not easy to fall
- There are many compatible models, please pay attention to the size of the machine
- The package includes screws
- Dimensions: 93×43.8×40 mm (3.7×1.7×1.6 in)

WARRANTY

[3-Years Manufacturer's Warranty](#)

