



PlusOptic Bidirectional Transceiver GPON ONU B+ SFP Module. 2.5Gb/1.25Gb TX1490/RX1310. SC Simplex Connector. 20km Reach on Single Mode Fibre.GPON-SFP-ONU-B+-20KM

Product Images



PlusOptic Bidirectional Transceiver GPON ONU B+ SFP Module. 2.5Gb/1.25Gb TX1490/RX1310. SC Simplex Connector. 20km Reach on Single Mode Fibre.GPON-SFP-ONU-B+-20KM

PLUSOPTIC's GPON-SFP-ONU-B-20KM Small Form Factor Pluggable (SFP) transceiver supports typically Tx 1.244Gbps and Rx 2.488Gbps Asymmetric Data Rate for GPON ONU application up to 20km transmission distance, it's designed meeting with ITU-T G.984.5 Class B+. SC/PC pigtail or SC/APC is for optical interface.

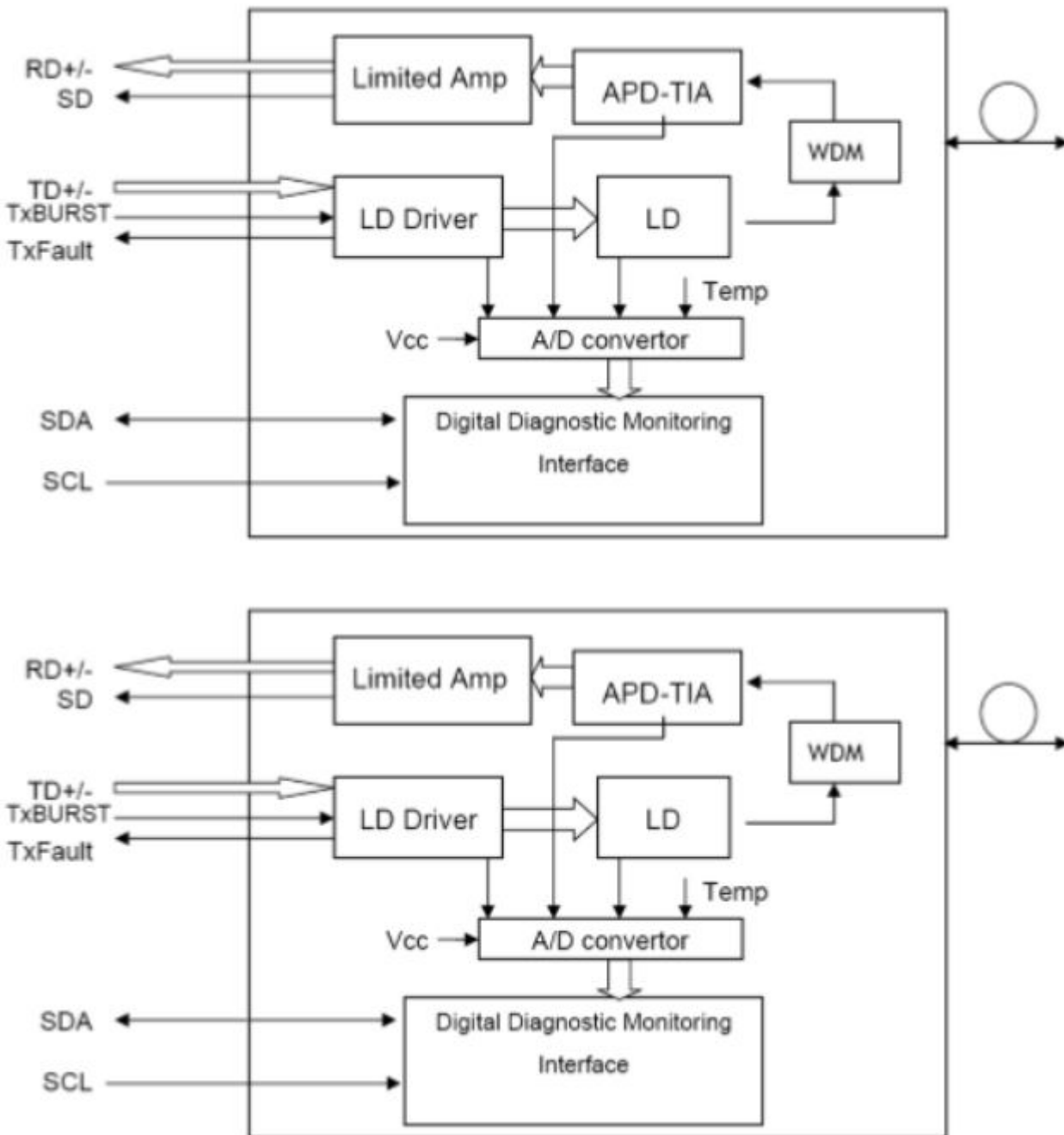


Fig 1 Transceiver Block Diagram

The module provides digital diagnostic information of its operating conditions and status, including transmitting power, laser bias, receiver input optical power, module temperature, and supply voltage. Calibration and alarm/warning threshold data are written and stored in internal memory (EEPROM). The memory map is compatible with SFF-8472, as shown in Fig. 2. The diagnostic data are raw A/D values and must be converted to real world units using calibration constants stored in EEPROM locations 56 – 95 in A2h

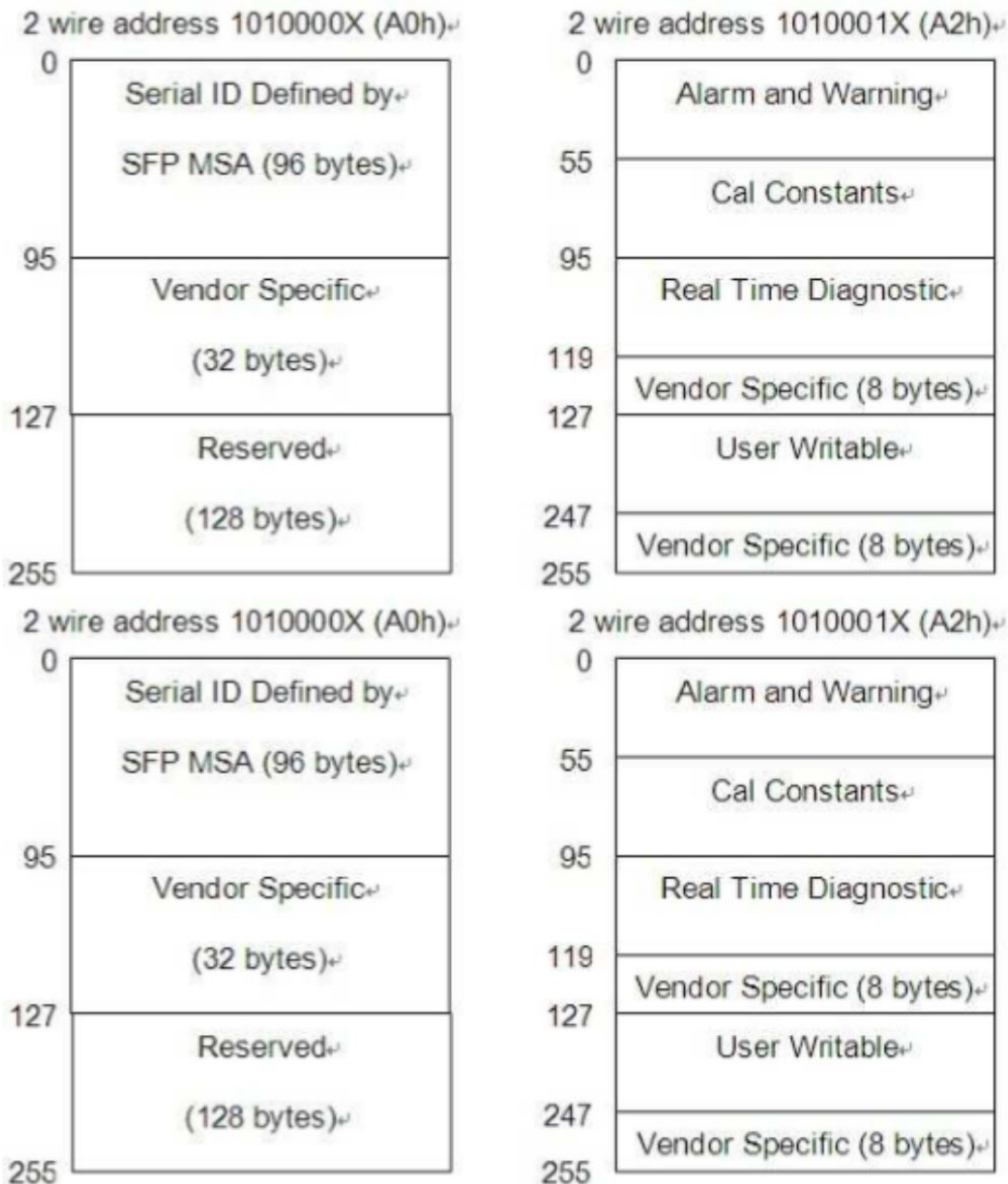


Fig 2 EEPROM Information

FEATURES

- BiDi SFP Single Mode TRanceiver
- SC/PC or SC/APC is optional
- Comply with ITU-T G.984.5 Class B+
- Compliant with SFF MSA-2000 and SFF-8472 V10.3
- Single +3.3 Power Supply
- LVPECL Differential Data Inputs and CML Data Outputs
- LVTTTL Signal Detection Output and LVTTTL Burst Control
- Complies with Telicordia (Bellcore) GR-468-CORE
- 1310nm Burst Mode Transmitter and 1490nm Continuous Mode Receiver
- 1.244Gbps DFB Laser Diode, 2.488Gbps APDTIA Receiver
- Maximum reach 20km
- Case operating temperature
 - Commercial: 0°C to +70°C

WARRANTY

1-year limited warranty

WHY 4CABLING?

- Australia's leading importer & wholesaler of 19" server racks, copper, ethernet cable, fibre optic leads & structured networking products
- ISO 9001, NSW Govt. & GITC (QLD Govt.) approved supplier
- Secure online shopping 24/7
- A loyal customer base of 100k+ who trust us for their data & electrical needs
- Over 3000 quality products in stock ready to go
- All products are approved as per local Australian standards
- Warranty & peace of mind return policy
- Lightning fast delivery nationwide
- Expert advice
- Proudly 100% Australian owned & operated

