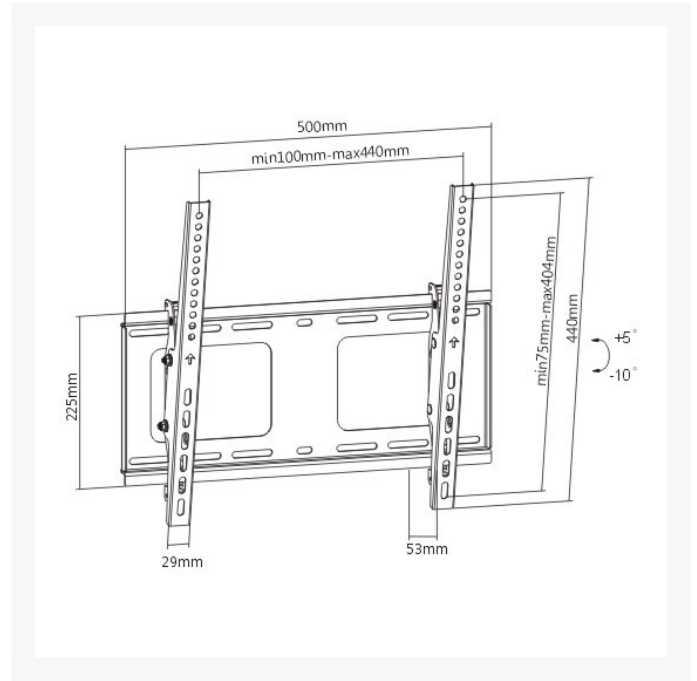




# 4Cabling Heavy-Duty Tilting Wall Mount TV Bracket to 32" to 55"

## Product Images



## Description

# 4Cabling Heavy-Duty Tilting Wall Mount TV Bracket for 32" to 55"

Easy to use and install, this heavy duty wall mount bracket is designed to fit most 32"-55rdquo; Flat Panel TVs weighing up to 75kgs/165lbs. This unit mounts in a tilted position and tilts to a 10° down position the screen for an optimal viewing experience. Compatible with VESA hole up to 400x400.

**Comes with all necessary wall mounting and screen attachment hardware**

## FEATURES

- Suitable for 32" - 55" Screens when compliant with VESA Mount below
- Tilt: +5°~-10°
- Max. Load Capacity: 80kg
- Depth Profile TV to Wall: 53mm

- Sturdy Steel Construction: provides a solid and long-lasting performance
- Toolless Tilt: allows for effortless positioning
- Open Architecture: provides increased ventilation and easier access to wires
- Easy Assembly: Installation is as easy as 1-2-3
- Colour:Black
- Suits VESA Mount : 200 x 200 | 400 x 200 | 300 x 300 | 400 x 400

## WARRANTY

3-years limited warranty

