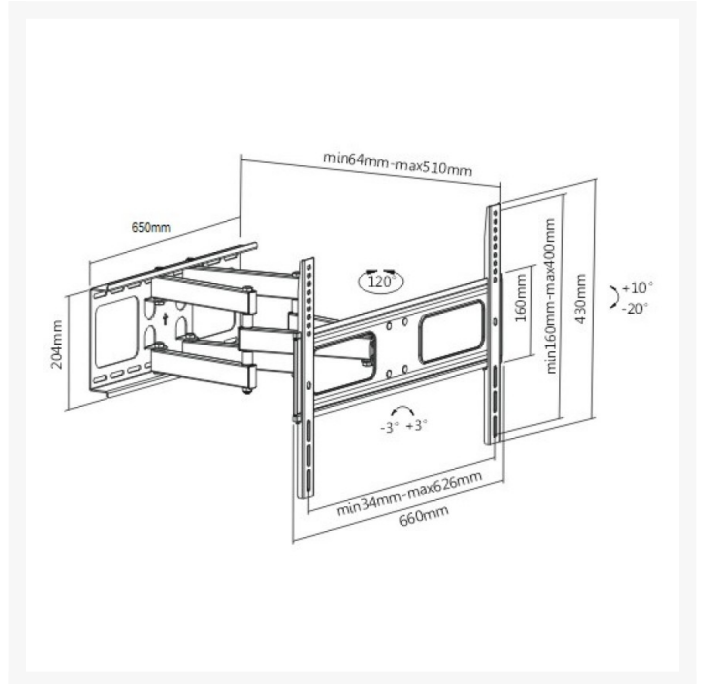




4Cabling Articulated TV Wall Mount Bracket 40" to 70" | Max VESA 600 x 400

Product Images



4Cabling Articulated TV Wall Mount Bracket 40" to 70" | Max VESA 600 x 400

Fits most 40"- 70" curved & flat panel TVs. This TV wall mount bracket is a dual-arm full-motion wall mount for most curved & flat-panel TVs up to 70" and with a 50kg weight loading. This mount extends out 510mm from the wall and allows TVs to turn $\pm 60^\circ$ left or right. Full movement motion allows maximum flexibility - tilt and swivel your TV for easy viewing. Post-installation level adjustment allows the TV to "roll" up to 3° clockwise and anticlockwise to ensure it is perfectly level. An integrated cable management system keeps cables organised and protected. The wide wall plate fits Australian 450-600mm stud installation.

FEATURES

- Freely tilting allows easy TV angle adjustment
- Swivelling arm offers maximum viewing flexibility
- Built-in level adjustment ensures perfect positioning
- Cable management system helps keep cables concealed and organised
- Strength has been tested for a minimum of three times its stated load capacity
- Allowances for Australian 450 / 600mm stud wall spacing
- Mounting Profile: 64-510mm
- VESA support up to 600 x 400
- Swivel left & right: $\pm 60^\circ$ with $-20^\circ/+5^\circ$ vertical tilt
- Maximum loading capacity: 50kg
- Weight: 8.5kg
- Level adjustment: $\pm 3^\circ$
- Sturdy wishbone design
- Decorative cover presents an elegant finish

SPECIFICATIONS

- **Fit Screen Size:** 40" -70"
- **Max VESA:** 600 x 400
- **Weight Capacity:** 50kg
- **Colour:** Black

WARRANTY

3-years limited warranty

