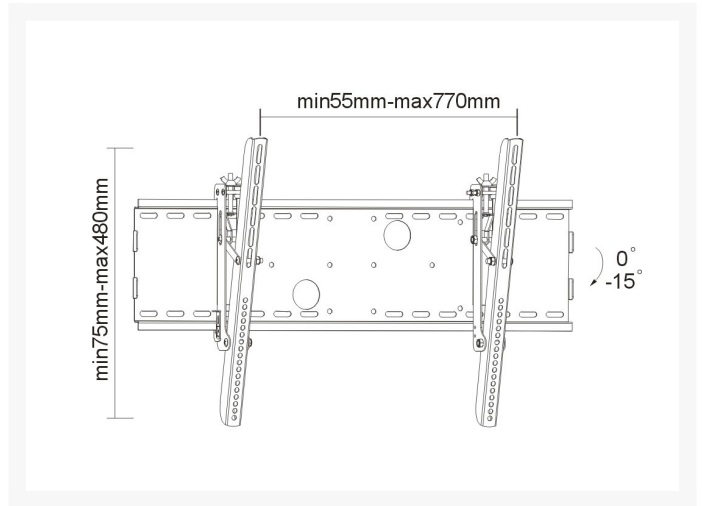
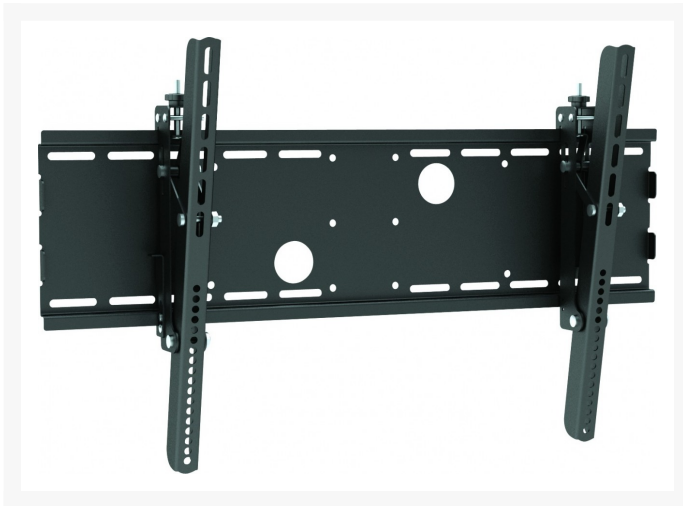


## Tiltable TV Wall Mount Bracket For Most 37"-70" Curved & Flat Panel TVs | Max VESA 600 x 400

### Product Images



### Description

## Tiltable TV Wall Mount Bracket For Most 37"- 70" Curved & Flat Panel TVs | Max VESA 600 x 400

This is a heavy-duty Plasma, LCD and LED wall mount bracket with a 15° variable vertical downward tilt option. It is suitable for mounting large screens from most 37" up to 70" in size, if they comply with the below VESA mounts & do not exceed the recommended weight. This unique design allows for mounting to brick, solid concrete and block walls as well as gyprock walls with allowances for Australian wall stud spacing.

## FEATURES

- Easy and effortless installation
- Lateral shift for precise placement
- Easy-grip knobs for quick tilt and lock
- Fits most 37" - 70" when compliant with below VESA
- Continuous adjustable Tilt: 0° to -15°
- TV to Wall: 80mm

## SPECIFICATIONS

- **Fit Screen Size:** 32"-65"

- **Max VESA:** 600 x 400
- **Weight Capacity:** 75kg
- **Colour:** Black

## WARRANTY

3-years limited warranty

