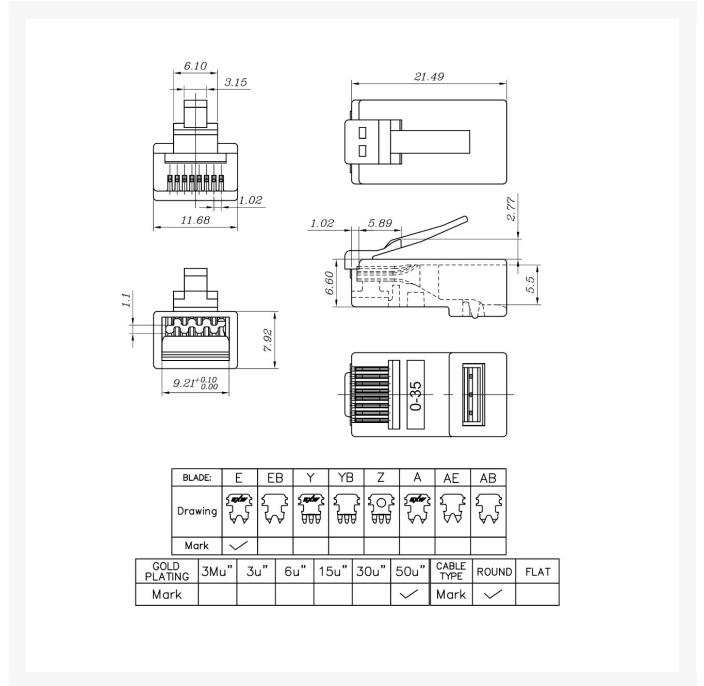




Cat 6 8 Position RJ45 One-Piece Modular Crimp Plug | Solid | 10 Pack

Product Images



Description

Cat 6 8 Position RJ45 One-Piece Modular Crimp Plug | Solid | 10 Pack

This Cat-6 RJ45 8-position one-piece modular crimp plug is designed for solid core category 6 patch cable. The one-piece design can be used with almost any solid modular RJ45 crimp tool.

FEATURES

- 50µ gold plated contacts
- 8P8C
- Suitable for 23AWG ~ 26AWG wire
- Insulation resistance: 500MΩ
- Contact resistance: 20mΩ MAX
- Operating ambient temperature: 40°C ~ 70°C
- Strain Relief: 20 pounds min
- Durability: 1200 mating cycles

- Pack of 10 pieces

MATERIALS

- Housing: Polycarbonate, UL94V
- Colour: Transparent
- Contact blade: Copper alloy
- Gold plating: 50μ

WARRANTY

3-years limited warranty

