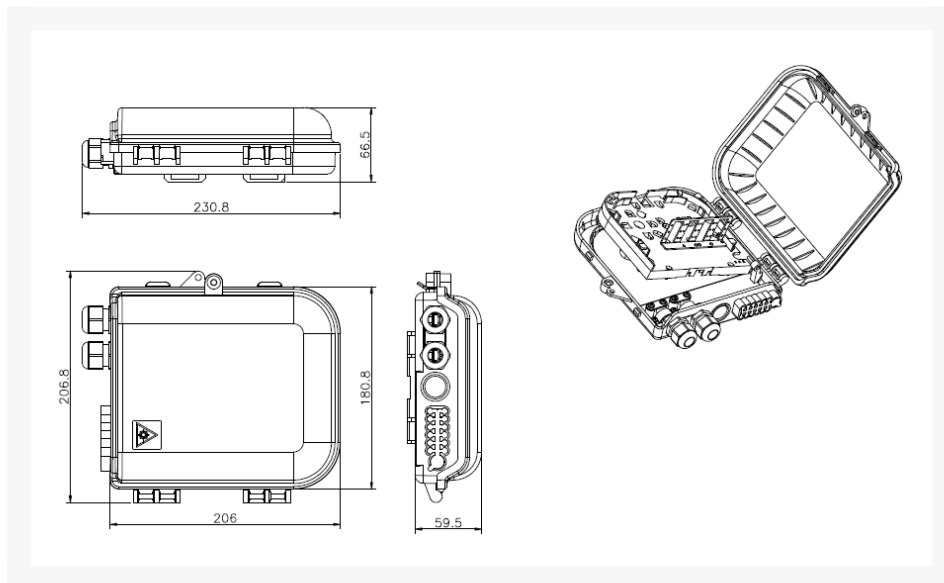




4C | 12 Cores Outdoor Wall Mount Fibre Optic Termination Box

Product Images



Description

12 Cores Outdoor Wall Mount Fibre Optic Termination Box

Experience effortless fibre optic distribution with our premium FTTH Optical Distribution Box. This versatile solution allows for seamless integration with 2 entry cables of up to 12mm in diameter and offers the capability to output up to 12 FTTH drop cables. Perfect for both wall and pole mounting, this box is made from high-quality ABS plastic and is IP45 rated to ensure maximum protection against weather elements. This box also features a spacious interior that can accommodate up to 12 LC Duplex/SC Simplex footprint couplers/adapters.

FEATURES

- Material: ABS plastic
- Can accommodate 1x4,1x8 PLC splitter
- Rainfall resistant, IP45 outdoor using
- Can load 12 x LC Duplex/SC Simplex footprint couplers/adaptors (Sold Separately, check range [HERE](#))
- Wall mounting and pole mounting application
- 2pcs cable entry ports with M20 cable gland (Max. cable diameter 12mm)
- 12pcs exit ports for FTTH drop cable
- Dimensions:& 206.8 x 230.8 x 66.5mm

WARRANTY

3-year limited warranty

WHY 4CABLING?

- Australia's leading importer & wholesaler of 19" server racks, copper, ethernet cable, fibre optic leads & structured networking products
- ISO 9001, NSW Govt. & GITC (QLD Govt.) approved supplier
- Secure online shopping 24/7
- A loyal customer base of 100k+ who trust us for their data & electrical needs
- Over 3000 quality products in stock ready to go
- All products are approved as per local Australian standards
- Warranty & peace of mind return policy
- Lightning fast delivery nationwide
- Expert advice
- Proudly 100% Australian owned & operated

