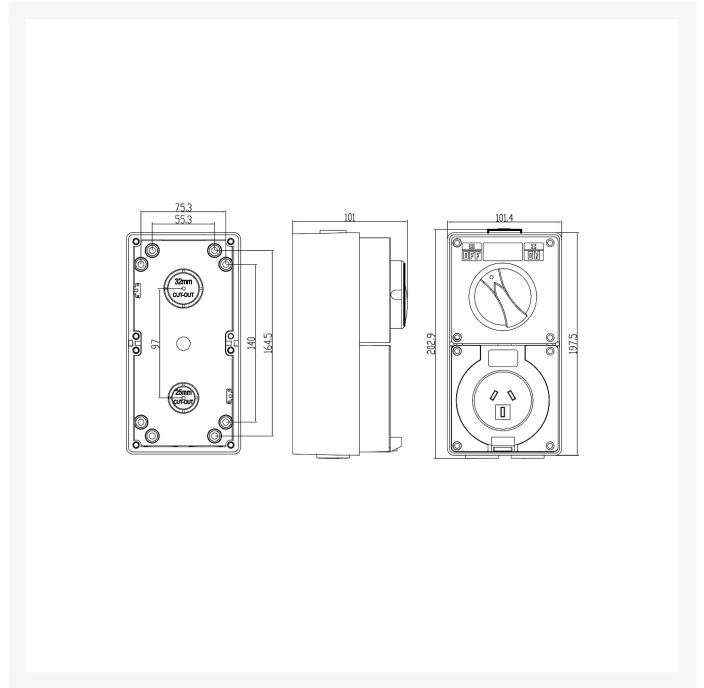




4C | Combination Switched socket 3Flat Pin IP66 250V 10A

Product Images



4Cabling | Combination Switch socket 3Flat Pin IP66 250V 10A

Upgrade your industrial electrical setup with the 4Cabling Combination Switch socket 3Flat Pin IP66 250V 10A. Designed for heavy-duty use, this IP66-rated combination switch and socket outlet provides robust protection against dust, water, and UV exposure, making it perfect for demanding industrial environments. Its sleek design also makes it suitable for commercial spaces like television studios, shopping centers, and warehouses, as well as public or domestic swimming pools.

Enhance your electrical infrastructure with the durability, reliability, and security of the 4Cabling Combination Switch socket.

FEATURES

- Available in 10A-32A options
- IP66 rating for protection against dusty and wet environments
- UV-rated for protection against harsh sunlight
- Temperature resistance from -25°C to +50°C
- Grey color body to blend with outdoor environments
- PVC enclosures for compatibility with standard electrical PVC conduit accessories
- All switches with padlocking facility for extra security
- Captive stainless steel combination head screws for corrosion resistance and easy installation
- 1 x 32mm and 2 x 25mm cable entry to the enclosure
- Maximum terminal size for the cable: 25mm²

SPECIFICATIONS

- **Qty in Pack:** 1
- **Colour:** Grey
- **IP Rating:** IP66
- **Pin Configuration:** 3 Flat
- **Material:** PVC
- **Supply Voltage:** 250V 10A
- **Nominal Conductor Size:** 1.0mm²
- **Max Cable Diameter:** 24mm
- **M Rating:** 100
- **Compliances:** AS 60529:2004/NZS IEC 60947.1:2015 AS/NZS 3121:2002 AS/NZS 3100:2017 A1

WARRANTY

3-years limited warranty

