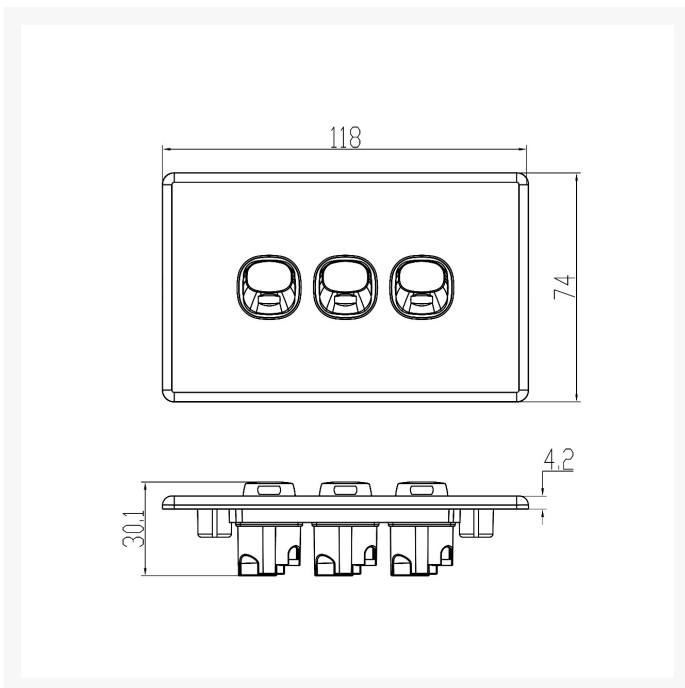




4C | Elegant Wall Switch 2 Gang 250V 16A | Horizontal | 10 Pack with 10 FREE C-Clips

Product Images



Description

4Cabling | Elegant Wall Switch 2 Gang 250V 16A | Horizontal | 10 Pack with 10 FREE C-Clips

Elevate your space with the 4Cabling Elegant Wall Switch 2 Gang! Designed for both style and functionality, this horizontal switch boasts a sleek white finish and a durable polycarbonate construction.

With a supply voltage of 250V and 16A, this switch delivers reliable performance for all your electrical needs. Its compact plate size of 74 x 118 x 4.2mm and mounting center distance of 84mm ensure a seamless installation.

You can find compatible mounting options for the Elegant Series [here](#). Plus, with certifications from SAA and compliances with AS/NZS 3133, AS/NZS 3100, you can trust in its safety and quality.

SPECIFICATIONS

- **Qty In Pack:** 10
- **Colour:** White
- **Plate Size:** 74 x 118 x 4.2mm
- **Plate Thickness:** 4.2mm
- **Material:** Polycarbonate
- **Orientation:** Horizontal
- **Supply Voltage:** 250V 16A
- **Mounting Centre Distance:** 84mm
- **Terminal Size:** 4 x 1.5mm² cabling with 4.1mm² bore
- **Certification:** SAA
- **Compliances:** AS/NZS 3133, AS/NZS 3100

You can find compatible **Mounting Options for the Elegant Series** [here](#).

APPLICATION

Most suitable for indoor residential and commercial environments.

WARRANTY

Lifetime warranty

