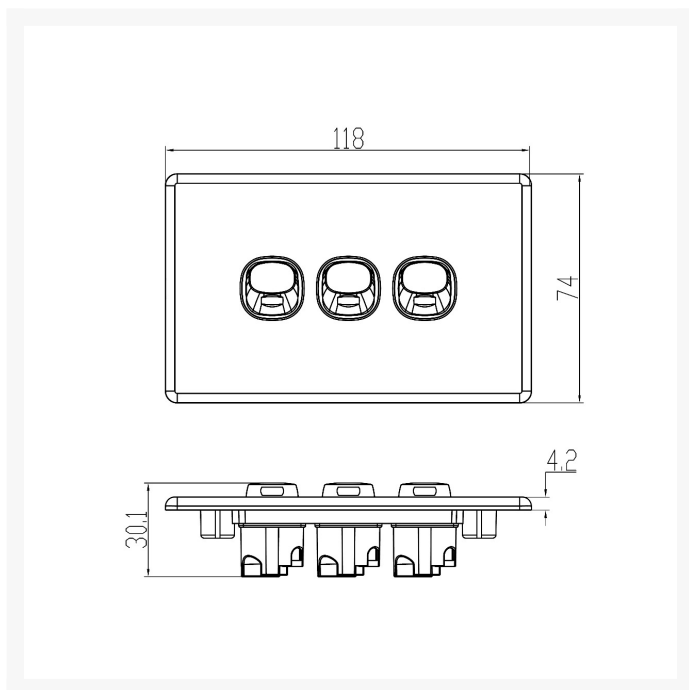
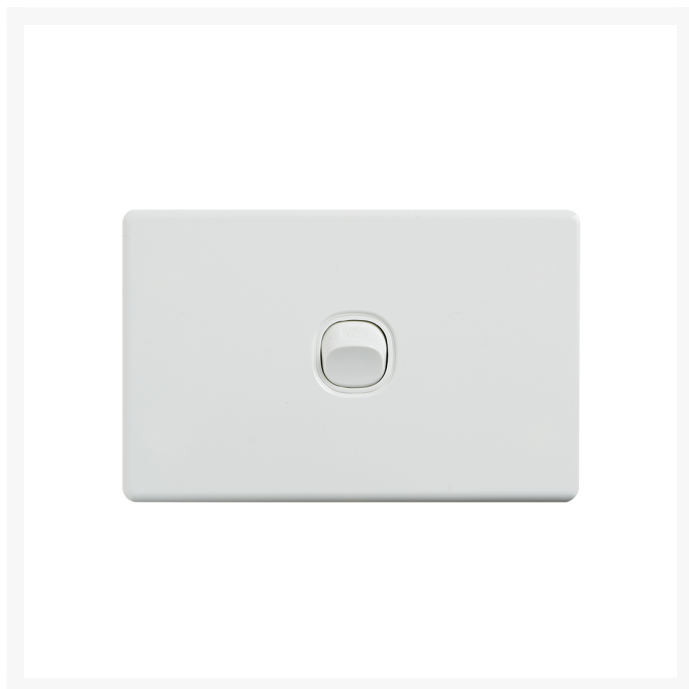




4C | Elegant Wall Switch 1 Gang 250V 16A - Horizontal - 10 Pack with 10 FREE C-Clips

Product Images



Description

4C | Elegant Wall Switch 1 Gang 250V 16A - Horizontal - 10 Pack with 10 FREE C-Clips

4Cabling Elegant Switches offer up to six switches in vertical and horizontal formats, in a stylish, streamlined design.

SPECIFICATIONS

QUANTITY IN PACK	10
COLOUR	White
PLATE SIZE	74 x 118 x 4.2mm
PLATE THICKNESS	4.2mm
MATERIAL	Polycarbonate
ORIENTATION	Horizontal
SUPPLY VOLTAGE	250V 16A
MOUNTING CENTRE DISTANCE	84mm
TERMINAL SIZE	4 x 1.5mm ² cabling with 4.1mm ² bore
CERTIFICATION	SAA
COMPLIANCES	AS/NZS 3133, AS/NZS 3100
WARRANTY	Lifetime

You can find compatible mounting options for the Elegant series [here](#).

APPLICATION

Most suitable for indoor residential and commercial environments.

