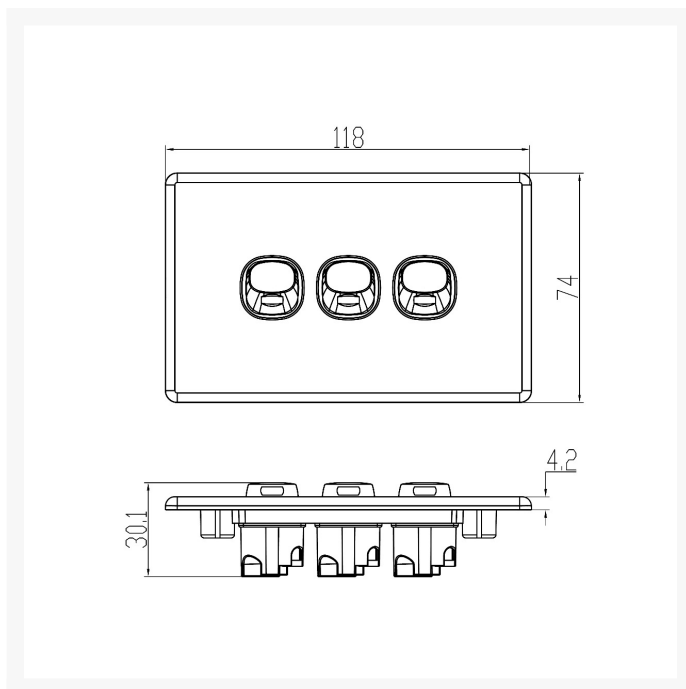




4C | Elegant Wall Switch 6 Gang 250V 16A - Horizontal

Product Images



Description

4C | Elegant Wall Switch 6 Gang 250V 16A - Horizontal

4Cabling Elegant Switches offer up to six switches in vertical and horizontal formats, in a stylish, streamlined design.

SPECIFICATIONS

QUANTITY IN PACK	1
COLOUR	White
PLATE SIZE	74 x 118 x 4.2mm
PLATE THICKNESS	4.2mm
MATERIAL	Polycarbonate
ORIENTATION	Horizontal
SUPPLY VOLTAGE	250V 16A
MOUNTING CENTRE DISTANCE	84mm
TERMINAL SIZE	4 x 1.5mm ² cabling with 4.1mm ² bore
CERTIFICATION	SAA
COMPLIANCES	AS/NZS 3133, AS/NZS 3100
WARRANTY	Lifetime

APPLICATION

Most suitable for indoor residential and commercial environments.

