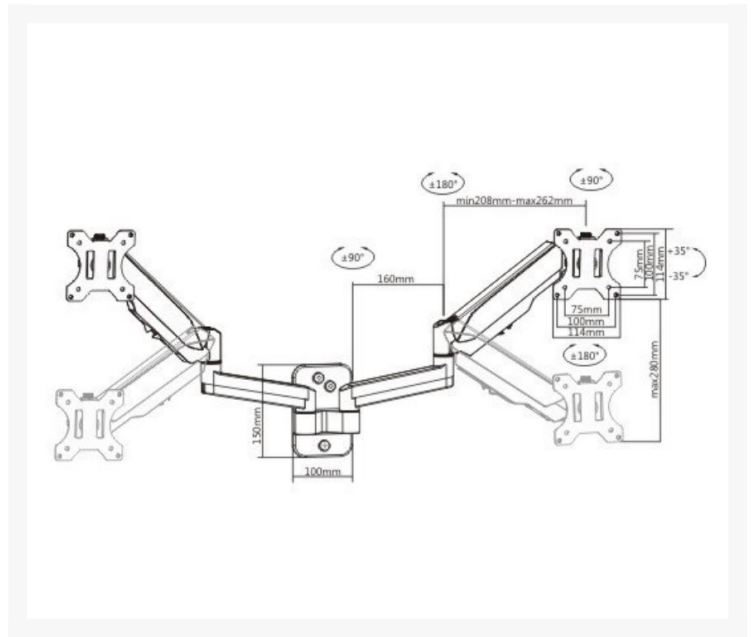




## 4Cabling Dual Arm Wall Mount Gas Spring TV Bracket for 17" to 32"

### Product Images



### Description

## 4Cabling Dual Arm Wall Mount Gas Spring TV Bracket for 17" to 32"

SUITABLE for most 17"-32" Flat Panel TVs

The 4Cabling Wall Mount Gas Spring TV Bracket. Designed to enhance your TV viewing experience, equipped with durable gas spring and built-in cable management the TV bracket is easy to maneuver to your desired angle and height. Built from sturdy material, each arm can withstand weight from 1-8kg or 17"-32" TV

## FEATURES

- Fits most 17" to 32" flat panel LCD and LED screens when compliant with VESA specs
- Free-tilting design with forwarding or backward adjustment for better viewing and reduced glare
- Adjustable tension on the joint closest to the monitor to allow more or less fluid movement
- Easy to regulate the tension of the long arms to accommodate the weight of the monitor
- Cable management keeps everything organised
- Gas spring arm for maximum viewing flexibility
- VESA: 75x75,100x100
- Maximum load capacity of 8kgs/ arm

# WARRANTY

3-years limited warranty

