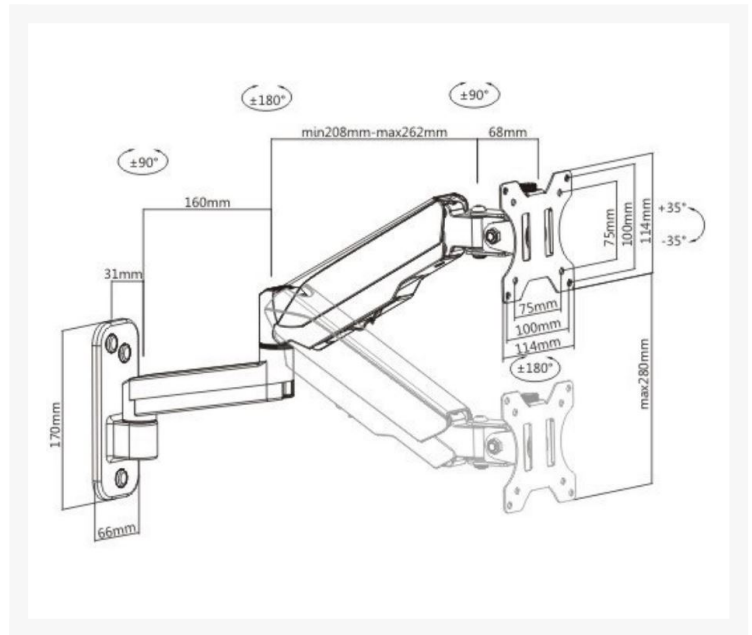




4Cabling Single Arm Wall Mount Gas Spring TV Bracket for 17" to 32"

Product Images



Description

4Cabling Single Arm Wall Mount Gas Spring TV Bracket. Suitable for 17" to 32" TV

SUITABLE for most 17"-32" Flat Panel TVs

The 4Cabling Wall Mount Gas Spring TV Bracket. Designed to enhance your TV viewing experience, equipped with durable gas spring and built-in cable management the TV bracket is easy to maneuver to your desired angle and height.

Build from sturdy material, this bracket can withstand weight from 1-8kg or 17"-32" TV

FEATURES

- Fits most 17" to 32" flat panel LCD and LED screens when compliant with VESA specs
- Free-tilting design with forwarding or backward adjustment for better viewing and reduced glare
- Adjustable tension on the joint closest to the monitor to allow more or less fluid movement
- Easy to regulate the tension of the long arms to accommodate the weight of the monitor
- Cable management keeps everything organised
- Gas spring arm for maximum viewing flexibility
- VESA: 75x75,100x100
- Maximum load capacity of 8kgs
- Mounting profile" 99-521mm

WARRANTY

- 3-year limited warranty.

WHY 4CABLING?

- Australia's leading importer & wholesaler of 19" server racks, copper, ethernet cable, fibre optic leads & structured networking products
- ISO 9001, NSW Govt. & GITC (QLD Govt.) approved supplier
- Secure online shopping 24/7
- A loyal customer base of 100k+ who trust us for their data & electrical needs
- Over 3000 quality products in stock ready to go
- All products are approved as per local Australian standards
- Warranty & peace of mind return policy
- Lightning fast delivery nationwide
- Expert advice
- Proudly 100% Australian owned & operated

