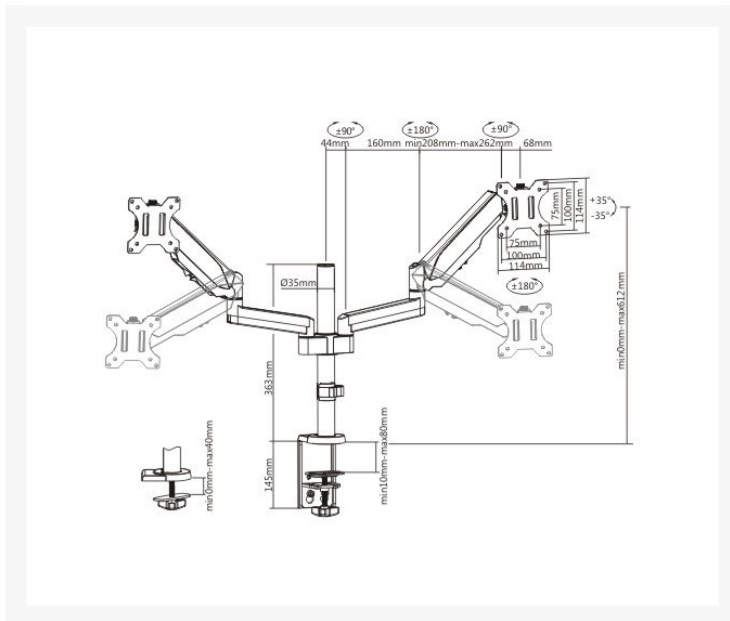




# 4Cabling Dual Monitor Arm Gas Spring Bracket | Max VESA 100 x 100

## Product Images



# 4Cabling Dual Monitor Arm Gas Spring Bracket Suitable For 17"-32" Monitor Size | Max VESA 100 x 100

4Cabling Double Monitor Arm Brackets with Gas Spring Monitor Brackets. Designed to be a high performance and easy to handle monitor arm, a built-in gas spring allows for smooth and accurate adjustment to the monitor positions.

The flexible tilt and swivel function provide comfortable monitor angles to reduce fatigue. 4Cabling Double Monitor Arm Brackets with Gas Spring Monitor Brackets also incorporates quick-release VESA plate mount and integrated cable management.

Built with high-grade steel this monitor arm can easily support monitors up to 8kg or 17"- 32" in size in each arm.

## FEATURES

- **Gas Spring:** perfectly counterbalances the weight of your monitor
- **Free-Tilting Design:** for multiple monitor viewing angles
- Adjustable tension on the joint closest to the monitor to allow more or less fluid movement
- Easy to regulate the tension of the long arms to accommodate the weight of the monitor
- **Swivelling Arm(s):** offer(s) maximum viewing flexibility (makes every seat the best seat)
- **Cable Management:** keeps everything organized
- **360° Rotary VESA Plate:** for more viewing experience
- **Detachable VESA Plate Design:** enables easy installation

## SPECIFICATIONS

- **Max weight per monitor:** 8kg
- **Max VESA:** 100 x 100
- **Colour:** Black

## DEMO VIDEO

## WARRANTY

3-years limited warranty

