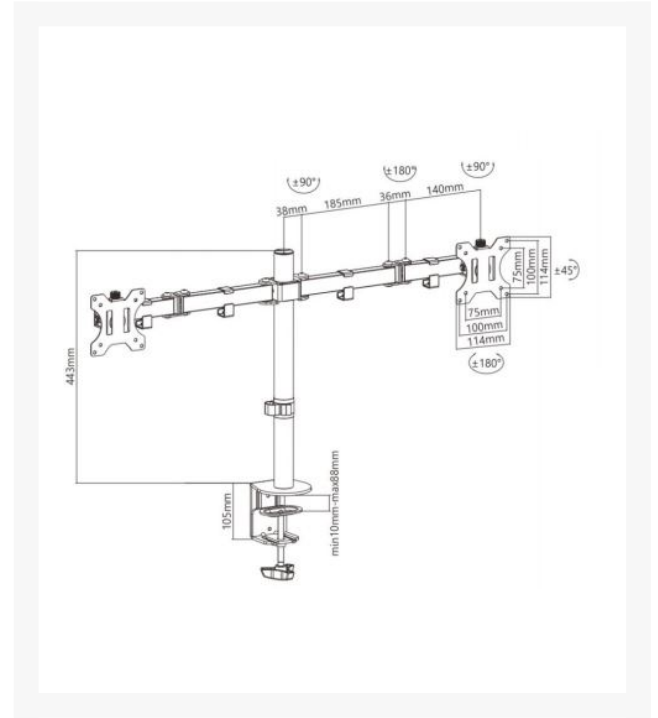




Dual Arm Double Joint Monitor Bracket Supports up to 2 x 32" Monitor | Max VESA 100 x 100

Product Images



Description

Dual Arm Double Joint Monitor Bracket Supports up to 2 x 32" Monitor | Max VESA 100 x 100

The Dual Arm Double Joint Monitor Arm is classically designed monitor arm/ stand which offers the ergonomic benefits of a flat screen monitor arm but is much more affordable. Simply tighten the joint and you can adjust the viewing angle and exactly how stationary the monitor to be.

Built with high-grade steel this monitor arm can easily support monitors up to 8kg or 13"- 32" in size in each arm.

This Monitor Arm comes with grommet mount and desk clamp options to make installation a lot easier

FEATURES

- Cable Management: keeps everything organized
- 360° Rotary VESA Plate: for more viewing experience
- Detachable VESA Plate Design: enables easy installation
- Two Mounting Options: both desk clamp and grommet are included
- Freely Adjusting Height: for an optimal ergonomic position

SPECIFICATIONS

- **Max weight per monitor:** 8kg
- **Max VESA:** 100 x 100
- **Colour:** Black

WARRANTY

3-years limited warranty

