

Single Arm Wall Mount Gas Spring TV Bracket

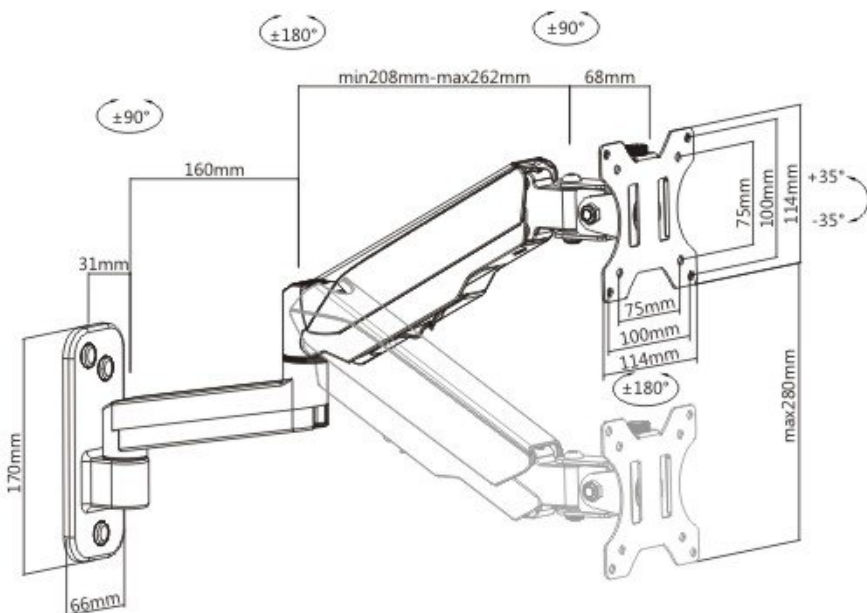
012.001.0035

Suitable for 17" - 32"

The 4Cabling Wall Mount Gas Spring TV Bracket. Designed to enhance your TV viewing experience, equipped with durable gas spring and built-in cable management the TV bracket is easy to maneuver to your desired angle and height. Build from sturdy material, this bracket can withstand weight from 1-8kg or 17"-32" TV.

Features:

- Fits most 17" to 32" flat panel LCD and LED screens when compliant with VESA specs
- Free-tilting design with forwarding or backward adjustment for better viewing and reduced glare
- Cable management keeps everything organised
- Gas spring arm for maximum viewing flexibility
- VESA: 75x75,100x100
- Maximum load capacity of 8kgs
- Mounting profile" 99-521mm3 Years Warranty



4Cabling TV Brackets & Stand Specifications

Part #	012.001.0035
Bracket Type	Wall Mount
Colour	Matte Black, Metallic Grey
Material	Steel, Plastic, Aluminum
Dimensions	523x114x370mm
Fit Screen	17" to 32"
Curved TV	Yes
OLED TV	No
Weight Capacity	8kg
Mounting Pattern	VESA
VESA Compatible	75x75, 100x100
Cable Management	Yes
Tilt Range	+35° to -35°
Swivel Range	+90° to -90°
Screen Rotation	+180° to -180°
Profile	99-521mm
Warranty	3 Years



GITC APPROVED

