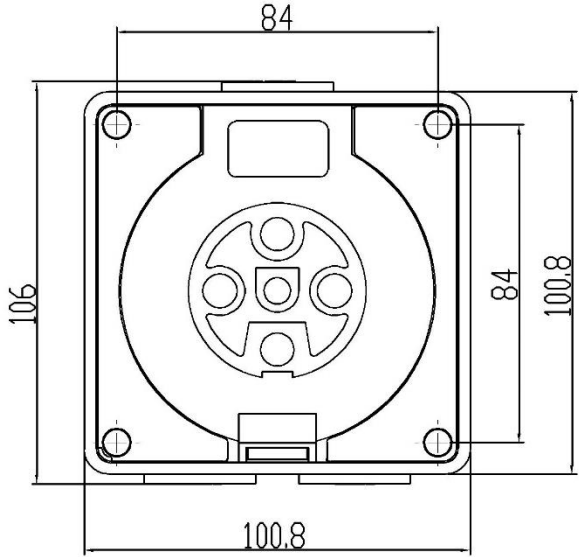










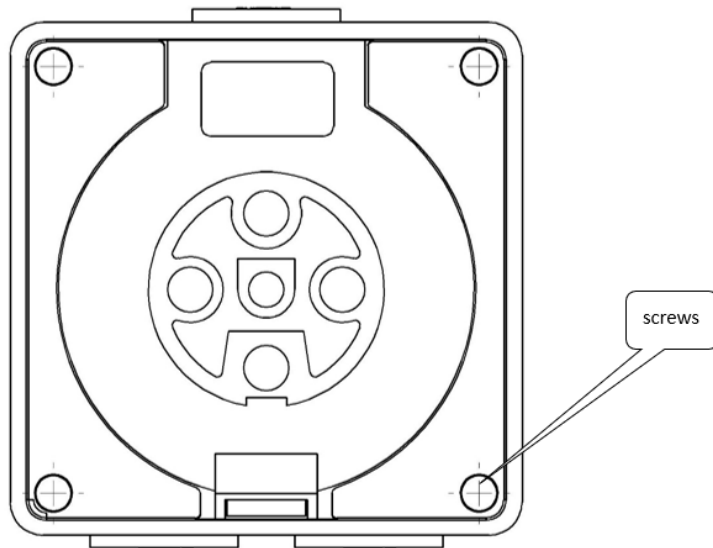


PRODUCT / RANGE:	4Cabling Industrial Socket Outlets Round Pins	
Measurements	100.8 x 100.8 x 97.5 mm	
Type	W/P socket	
Operating Voltage	250V/500V AC 50HZ	
Amp	10A/20A/32A/40A/50A	
Pins	Round	
Usage	Industrial areas subject to wash-down; outside	
IP Rating	IP66	

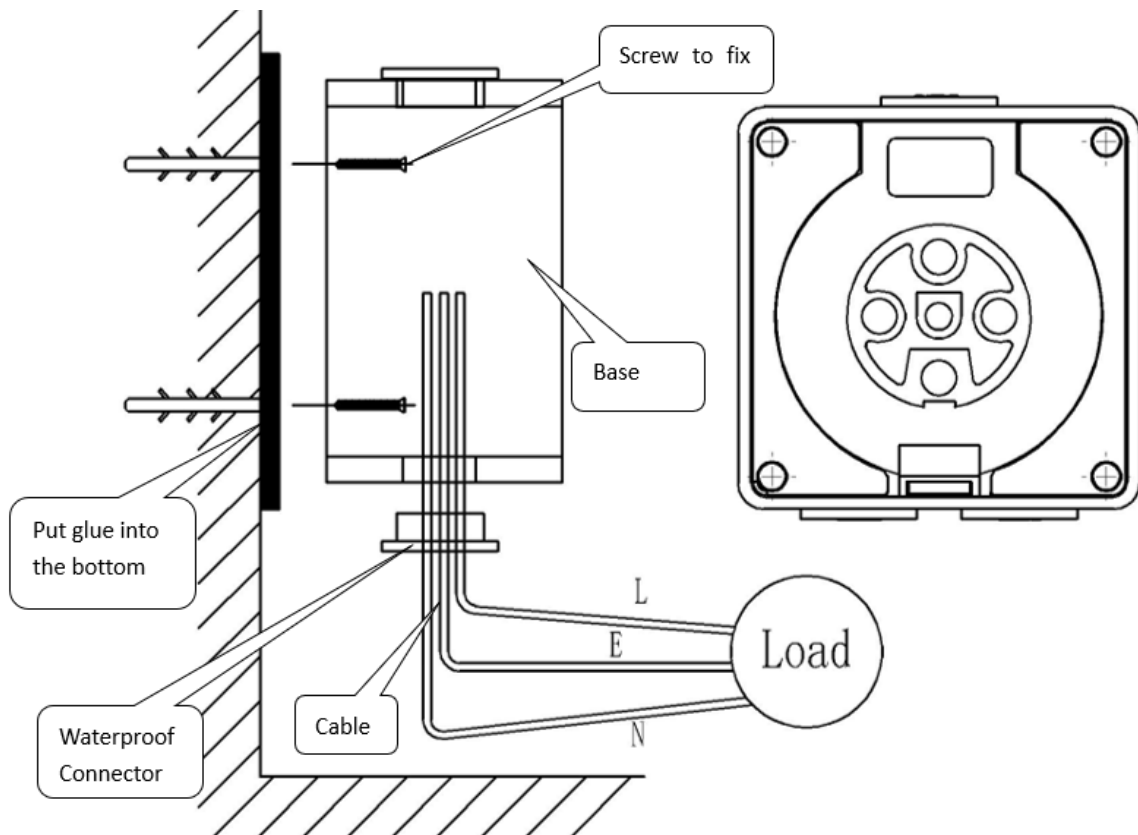
040.000.0143	500V	10A	4	Min: 7mm	Min: 1mm ²	
040.000.0144	500V	20A	4	Max: 16.4mm	Max: 4mm ² (QC) 6mm ² (Screwed)	
040.000.0145	500V	32A	4	small cable seal: Min: 9mm Max: 18mm	small cable seal: Min: 2.5mm ² Max: 6mm ²	
040.000.0210	500V	40A	4	large cable seal: Min: 18mm Max: 29mm	large cable seal: Min: 6mm ² Max: 25mm ²	
040.000.0211	500V	50A	4			
040.000.0146	500V	10A	5	Min: 7mm	Min: 1mm ²	
040.000.0147	500V	20A	5	Max: 16.4mm	Max: 4mm ² (QC) 6mm ² (Screwed)	
040.000.0148	500V	32A	5	small cable seal: Min: 9mm Max: 18mm	small cable seal: Min: 2.5mm ² Max: 6mm ²	
040.000.0212	500V	40A	5	large cable seal: Min: 18mm Max: 29mm	large cable seal: Min: 6mm ² Max: 25mm ²	
040.000.0213	500V	50A	5			

ASSEMBLY STEPS

1. Remove the cover, then remove the four screws. See diagram below.

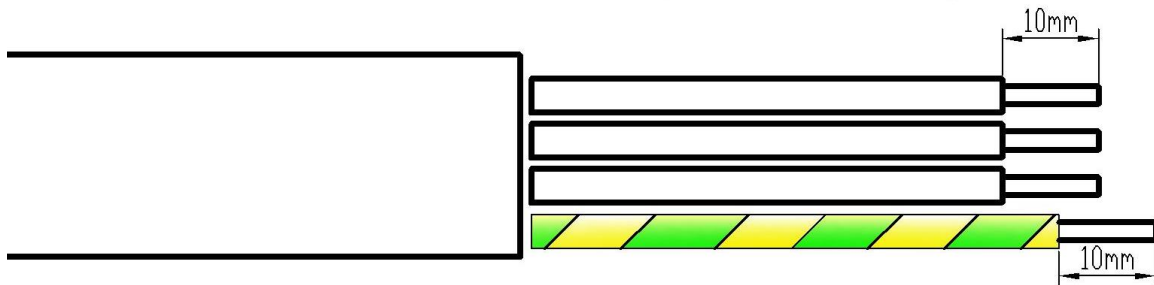


2. Assemble the base, following the diagram below.



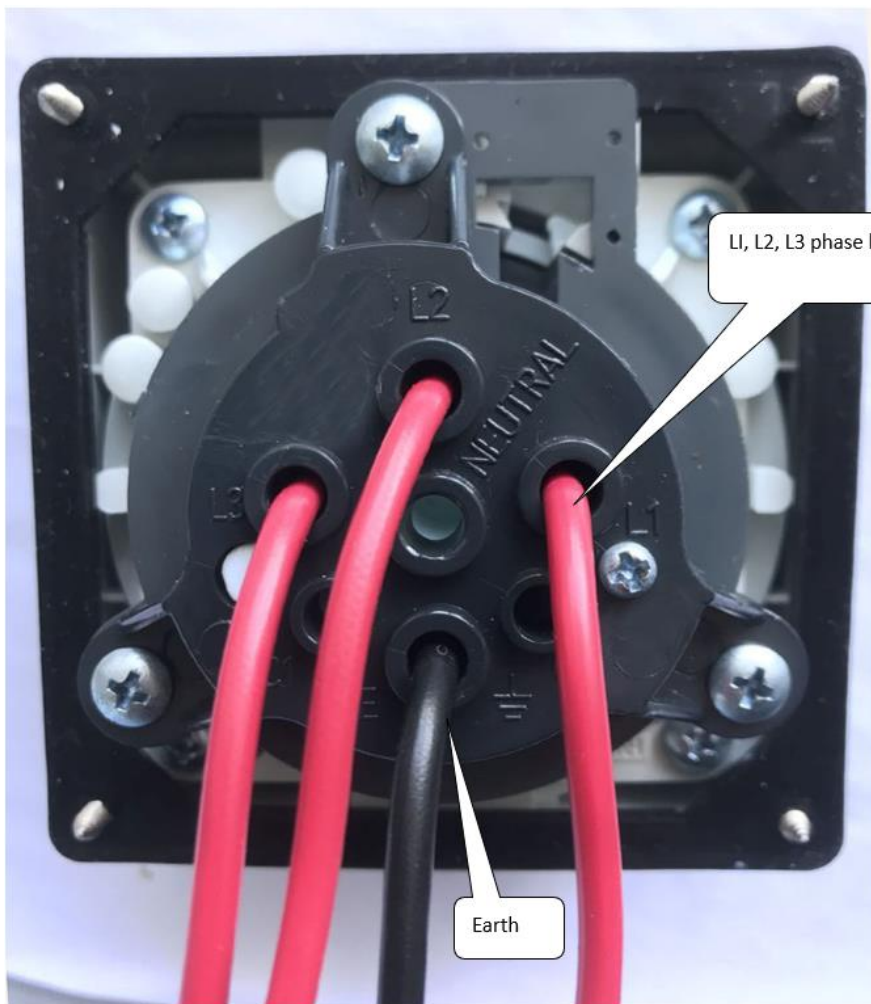
3. Remove the sheath as below, and press the jacket tightly.

Stripping Dimensions
(actual size in mm)

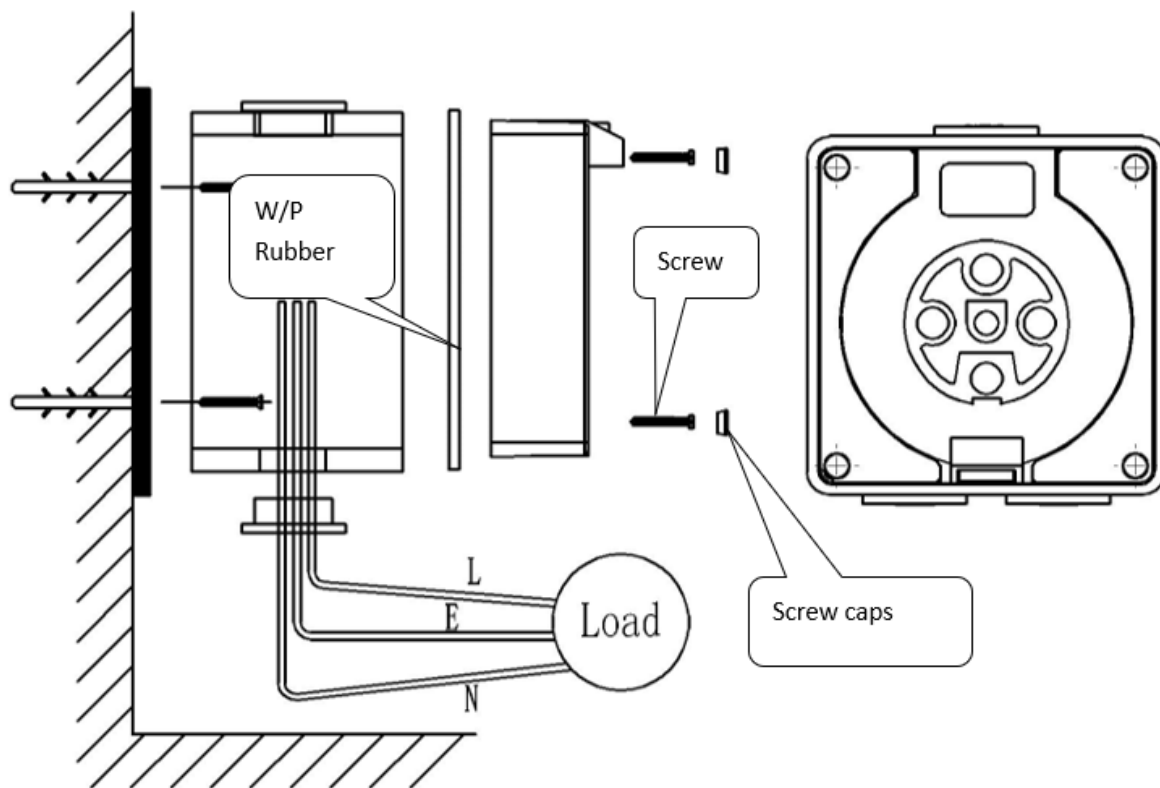


4. Connect the wire. L1, L2 and L3 are for phase lines, and E is for earth.

The wiring cable (L1, L2, L3, N, Earth) of the inlet must be directly connected to the generator and the cable wiring on the inlet must not be connected to mains supply, under any circumstances.



5. Connect to the base, then screw on the screws and caps.



Disclaimers:

- This product must be installed by a licensed electrician.
- Avoid direct product contact with corrosive liquids and gases, such as alkaline, acid, and paint, as these will cause damage to the product.
- This product cannot be repaired; do not attempt to repair this product. If the product is faulty, it should be disposed of safely.
- This product should not be disposed of with household waste. Please recycle where facilities exist. Check with your local authority or retailer for recycling advice.
- The material of this product may vary in colour from batch to batch. Colour matching from one batch to another cannot be guaranteed.
- Electrical installations periodically receive transient over voltages; this product has been designed to minimise the effect of such voltages on the connected equipment. However, please note that this product may not give full protection for extreme overvoltage transients, such as those resulting from a close lightning strike.
- Cable wiring of different voltage systems, such as Low Voltage and SELV cables, cannot share the same conduit.
- This product must be installed and used as per these instructions.
- This product utilises intellectual property in the form of registered designs, trademarks, and/or patents. Such intellectual property remains the property of 4Cabling in all cases.
- 4Cabling reserves the right to modify the specification of this product at any time.